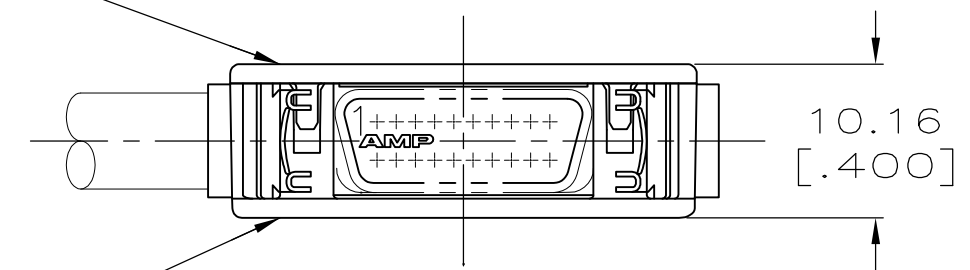
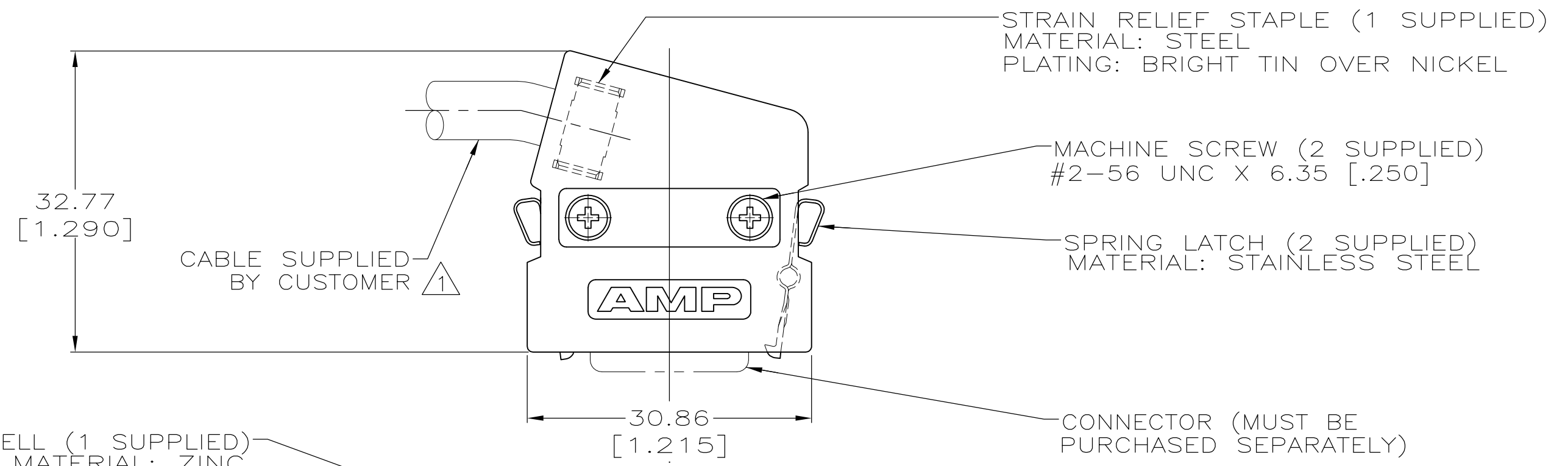


THIS DRAWING IS UNPUBLISHED. RELEASED FOR PUBLICATION
 © COPYRIGHT BY TYCO ELECTRONICS CORPORATION. ALL RIGHTS RESERVED.

LOC	DIST	REVISIONS			
P	LTR	DESCRIPTION	DATE	DWN	APVD
GP	00				
	0	RELEASED PER EC OS13-0001-05	26AUG05	GP	JG
	01	REVISED PER ECO-09-024927	10NOV09	KK	AEG



LOWER BACKSHELL (1 SUPPLIED)
MATERIAL: ZINC PLATING: NICKEL OVER COPPER

**COPYRIGHT 2005
 TYCO ELECTRONICS CORP
 ALL RIGHTS RESERVED**

⁴	OBSOLETE	³	5749199-2
		²	5749199-1
		PACKAGING	PART NO

- ¹ 6.86 [.270] MAX CABLE DIA
- ² PARTS PACKAGED AS A UNIT KIT, 1 PIECE.
- ³ PARTS INDIVIDUALLY BULK PACKAGED, 150 PIECES.
- ⁴ OBSOLETE PARTS: OBSOLETE CIS STREAMLINING PER D.RENAUD/D.SINISI

THIS DRAWING IS A CONTROLLED DOCUMENT.		DWN G.PETERS 26AUG05	Tyco Electronics Corporation Harrisburg, PA 17105-3608	
DIMENSIONS: INCHES		CHK S.SHUEY 26AUG05	Tyco Electronics	
TOLERANCES UNLESS OTHERWISE SPECIFIED:		APVD M.WALMSLEY 26AUG05	NAME	
0 PLC ± - 1 PLC ± - 2 PLC ± - 3 PLC ± 0.38 [.015] 4 PLC ± - ANGLES ± -		PRODUCT SPEC -	INDIVIDUAL KIT, UNASSEMBLED, 20 POSITION, 75° EXIT, UNKEYED, AMPLIMITE .050 Series	
MATERIAL -		APPLICATION SPEC -	SIZE A3	CAGE CODE 00779
FINISH -		WEIGHT -	DRAWING NO C-5749199	RESTRICTED TO -
CUSTOMER DRAWING			SCALE 1:1	SHEET 1 OF 1
			REV 01	